

# G.C.C

DENOMINATION

## Europea 75 cl

MODEL Nr

# 417

Mold. N° 00125

### TECHNICAL DATA

Capacity: 750 ml  
Capacity Brimf: 775±10ml  
Weight: (grs.) 530  
Finish : 28 CETIE BV-4  
Colour: green

Thikness of the glass bottle walls:  
not less than 1.2mm.

Thikness of the glass bottle bottom:  
not less than 2.4mm.

### USE LIMITS

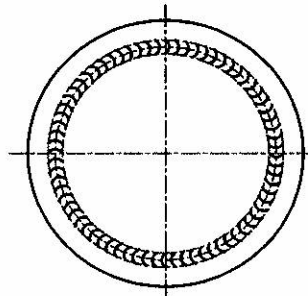
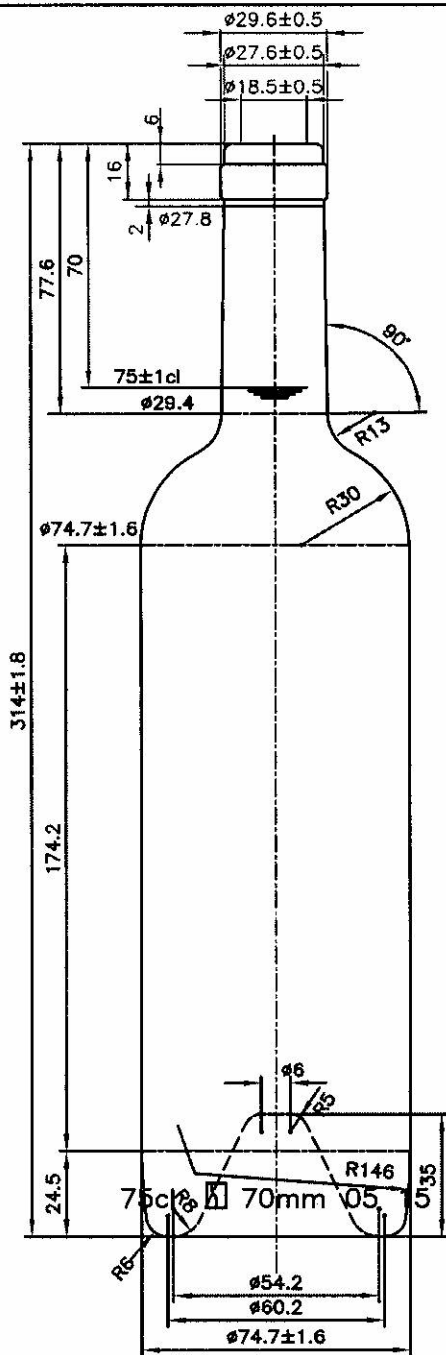
Carbonated level :  
Termoshock: not less than 40°C:  
Pressure max (bar):  
not less than 5  
Axial loading max.(kg.)  
Vertical durability max.(kg)

### TOLERANCES (mm)

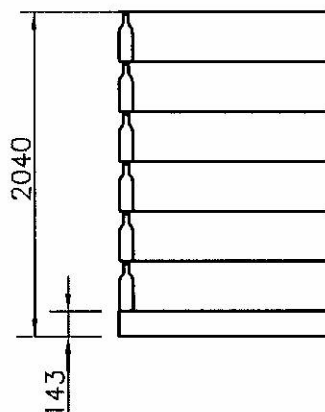
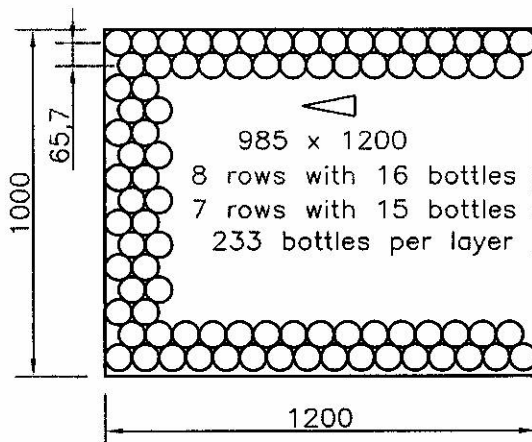
Verticality: ± 3.3  
Height: ± 1.8  
Diameter: ± 1.6

### SURFACE TREATMENT

Hot end coating : yes  
Cold end coating : yes



### LAYOUT OF BOTTLES IN A PALLET



Nr of layers in a pallet: 6  
Nr of bottles in a pallet : 1398  
Pallet weight (Kg): 790

Pallet : 1200x1000  
Lower tray : 1050x1200  
Middle tray : 1050x1200  
Cover: Cardboard  
Wrappage : shrinkwrap film